



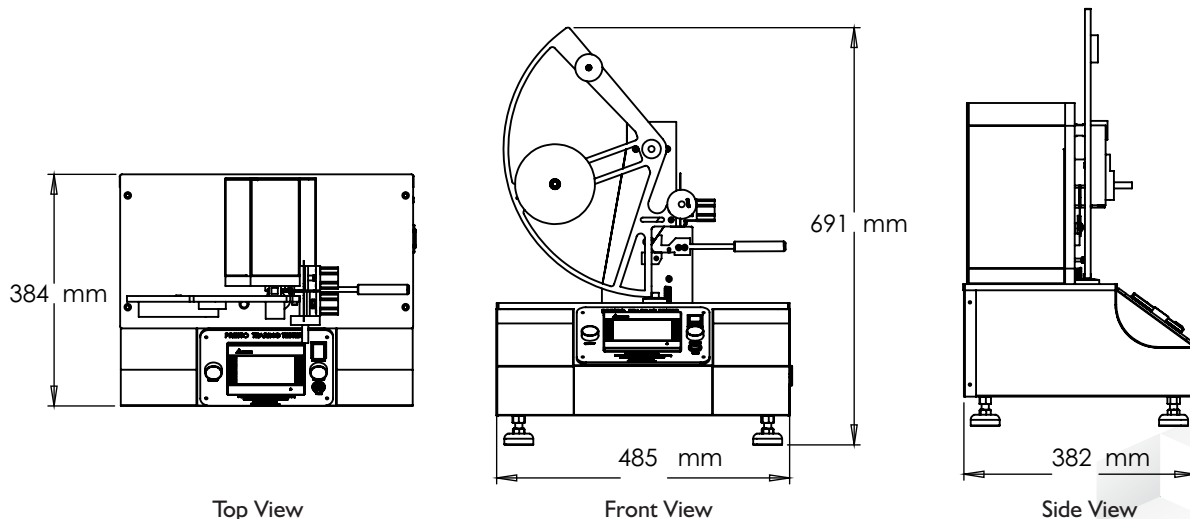
Tearing Strength Tester - Touch Screen



Model No.: PTT-560 Prima

Tearing Strength Tester is a consistent tool useful to determine the tearing strength of fabrics, plastic films and similar materials. Tearing Strength Tester is the tensile force required to rupture a pre-slit sample under controlled test conditions. PRESTO Tearing Strength Tester is designed as per standards ASTM D1424-09(2013), ASTM D624-00(2012), ASTM D1776, ASTM D689.

- High Quality rugged structure with corrosion resistant main body
- Pneumatic specimen clamping and automatic release of pendulum
- One touch hassle free operation
- Highly accurate test results under multiple pendulum weights
- Strong gripping fixture for holding test samples
- configurable display for result and reporting
- Inbuilt calibration weights
- Test Results include tear strength, tear per ply, average tear strength





Presto Stantest Pvt. Ltd.

I-42, DLF Industrial Area Phase-1, Delhi Mathura Road, Faridabad 121003, Haryana, India
 P : 9210 903 903, +91 129 4272727, 93111 24302 E : info@prestogroup.com



- Faridabad • Sonipat • Kolkata • Mumbai • Pune • Ahmedabad
- Chennai • Bangalore • Hyderabad

www.prestogroup.com

Key Specifications:

Force for Pendulum	1600, 3200 & 6400 gm force
Constant Radius of Tear	38 mm
Unit Scale range	0 -100%
Slit Size	20 mm
Zero	Adjustable Zero Point
Calibration Check weight	At 1600gf, at 3200gf, at 6400gf
Input Air Pressure	2 to 4 kg cm ² pressure
Port of Air Supply	Ø 6 mm putubing
Input Power Supply	220 V AC, Single Phase, 540 Hz
Data out put	USB Port

Highlights:

Clamps	Flat type
Legs	Adjustable legs
Material of Main Body	Mild Steel
Blades	Single edged
Angular Resolution	High resolution optical encoder
Angular Resolution	High resolution optical encoder

Optional :

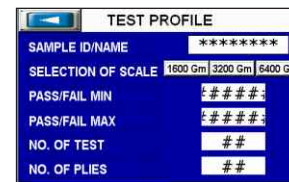
- Higher Capacity 12800 gm force on request available.



Main Screen



Test Screen



Test Profile Screen



Test Report

Thank you customers for choosing us as your partners in growth !



*All the above logos are the sole property of their respective owners and are used purely for depiction purposes only.

OUR OTHER PRODUCTS :-

